

# D10

## Bronze Globe Valve

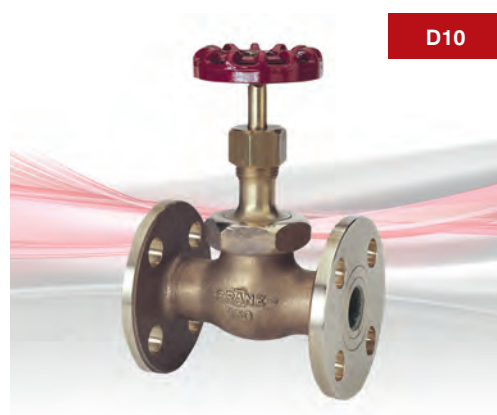
Class 150

### Features & Benefits

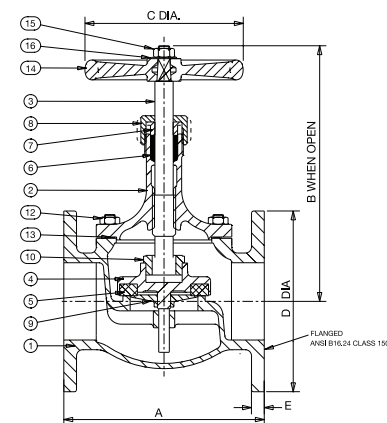
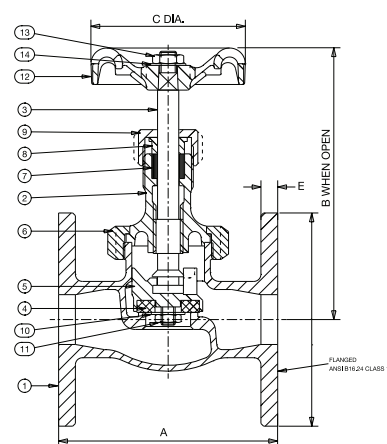
- Crane bronze globe valves are highly efficient for throttling because seat and disc designs provide flow characteristics with proportionate relationships between valve lift and flow rate

### Materials

NO.	PART	MATERIAL	SIZES
1	Body	Bronze BS EN 1982 CC491K	All
2	Bonnet	Bronze BS EN 1982 CC491K	All
3	Stem	Bronze BS EN 1982 CC491K	All
4	Disc	PTFE (25% Glass Filled)	All
5	Disc Holder	Bronze BS EN 1982 CC491K	1 <sup>1</sup> / <sub>4</sub> - 3
5	Disc Holder	Brass BS EN 12165 CW617N	1 <sup>1</sup> / <sub>2</sub> - 1
6	Union Ring	Bronze BS EN 1982 CC491K	1 <sup>1</sup> / <sub>2</sub> - 2
7	Packing	Asbestos Free	All
8	Gland	Brass BS EN 12164 CW614N	All
9	Packing Nut	Brass BS EN 12164 CW614N	1 <sup>1</sup> / <sub>2</sub> - 1 <sup>1</sup> / <sub>2</sub>
9	Packing Nut	Bronze BS EN 1982 CC491K	2 - 3
10	Washer	Brass BS EN 12164 CW614N	1 <sup>1</sup> / <sub>2</sub> - 2
11	Disc Ret'ng Nut	Brass BS EN 12164 CW614N	1 <sup>1</sup> / <sub>2</sub> - 2
11	Disc Ret'ng Nut	Bronze BS EN 1982 CC491K	2 <sup>1</sup> / <sub>2</sub> & 3
12	Handwheel	Aluminium	1 <sup>1</sup> / <sub>2</sub> - 2
12	Handwheel	Malleable Iron BS EN 1562 GJMB-300-6	2 <sup>1</sup> / <sub>2</sub> & 3
13	Handwheel Nut	Brass BS EN 12164 CW614N	All
14	ID Plate	Aluminium	All
15	Disc Stem Ring	Bronze BS EN 1982 CC491K	2 <sup>1</sup> / <sub>2</sub> & 3
16	Bonnet Stud	Steel BS 970 070M20	2 <sup>1</sup> / <sub>2</sub> & 3
17	Bonnet Stud Nut	Steel BS 4190 Gr.4	2 <sup>1</sup> / <sub>2</sub> & 3
18	Gasket	Asbestos Free	2 <sup>1</sup> / <sub>2</sub> & 3



### Dimensional Drawing



### Dimensions & Weights

SIZE (mm)	WEIGHT (kg)	A (mm)	B (mm)	C (mm)	D (mm)	E (mm)
1/2	1.76	108	128	65	89	8
3/4	1.95	117	145	70	98	9
1	3.2	127	161	78	108	10
1 <sup>1</sup> / <sub>4</sub>	4.54	146	180	92	118	10
1 <sup>1</sup> / <sub>2</sub>	6.12	159	199	103	127	11
2	8.67	190	233	121	152	13
2 <sup>1</sup> / <sub>2</sub>	14.9	216	279	152	178	14
3	20.1	254	313	152	191	16

**PRESSURE RATING:** Class 150

**TEMPERATURE OPERATING RANGE:** -10 to 186°C

**UK END CONNECTION:** Not Specified

**US END CONNECTION:** Flanged Class 150

**OPERATOR:** Handwheel

**AVAILABLE OPTOINS:** Flanges Undrilled.

P150 Locking Device

**SPECIFICATION:** Valves are manufactured in accordance with BS 5154 for Class 150 Series B ratings.

Design incorporates a disc holder retained on a stem by a threaded ring. Body seat is integral of the semi-crown type. Sizes 1/2" to 2" have a union bonnet; sizes 2 1/2" and 3" have a bolted bonnet. End flanges conform to BS 1560 Section 3.3 and ANSI B16.24 Class 150 with flat face and are normally supplied drilled. Valves have BS 5154 'long' face-to-face.

Valves also generally conform to MSS SP-80.

This valve is not suitable for use on group 1 gases or unstable fluids, as defined by the Pressure Equipment Directive 2014/68/EU.\*

\* See page 159 for more information

Valid as of 290719

Every effort has been made to ensure that the information contained in this publication is accurate at the time of publishing. Crane Ltd assumes no responsibility or liability for typographical errors or omissions or for any misinterpretation of the information within the publication and reserves the right to change without notice.