

# DM6

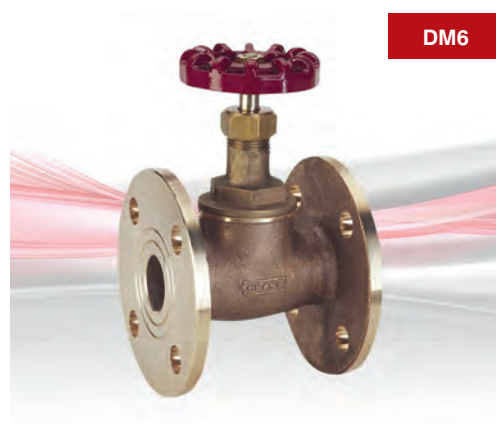
## Bronze Globe Valve

DM6

PN16

### Features & Benefits

- Crane bronze globe valves are highly efficient for throttling because seat and disc designs provide flow characteristics with proportionate relationships between valve lift and flow rate

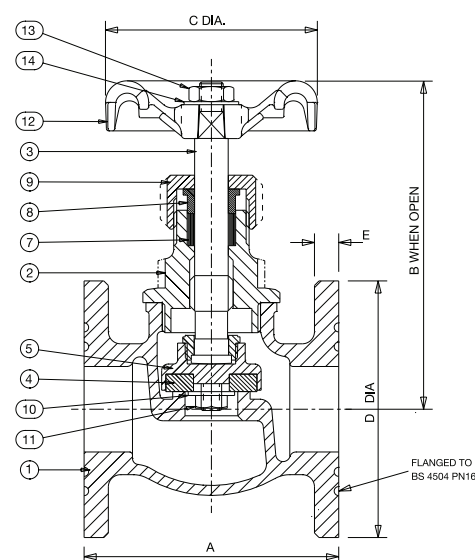


GENERAL VALVES

### Materials

NO.	PART	MATERIAL	SIZES
1	Body	Bronze BS EN 1982 CC491K	All
2	Bonnet	Bronze BS EN 1982 CC491K	All
3	Stem	Brass BS EN 12163 CW721R	All
4	Disc	PTFE (25% Glass Filled)	All
5	Disc Holder	Bronze BS EN 1982 CC491K	All
6	Disc Stem Ring	Brass BS EN 12163 CW721R	All
7	Packing	Asbestos Free	All
8	Gland	Brass BS EN 12164 CW614N	All
9	Packing Nut	Brass BS EN 12164 CW614N	All
10	Washer	Brass BS EN 12164 CW614N	All
11	Disc Retaining Nut	Brass BS EN 12164 CW614N	All
12	Handwheel	Aluminium	All
13	Handwheel Nut	Brass BS EN 12164 CW614N	All
14	ID Plate	Aluminium	All

### Dimensional Drawing



### Dimensions & Weights

SIZE (mm)	WEIGHT (kg)	A (mm)	B (mm)	C (mm)	D (mm)	E (mm)
15	1.24	80	97	52	95	6
20	1.76	90	113	52	105	6
25	2.3	100	126	65	115	8
32	2.82	110	150	70	140	8
40	5.22	120	165	78	150	9
50	5.71	135	189	103	165	11

**PRESSURE RATING:** PN16

**TEMPERATURE OPERATING RANGE:**  
-10 to 170°C

**UK END CONNECTION:** Flanged BS 4504

**OPERATOR:** Handwheel

**AVAILABLE OPTOINS:** P150 Locking Device

**SPECIFICATION:** Valves are manufactured in accordance with BS 5154 PN16 for Series B ratings, with 'short' face-to-face. Design incorporates disc holder retained on stem by a threaded ring. Body seat is integral of the semi-crown type.

End flanges conform to BS 4504 section 3.3 with flat face and are normally supplied drilled.

Note: Users attention is drawn to BS 4504 Section 3.3 clause 8 regarding types of gaskets and mating flanges to be used with metric flanged valves.

This valve is not suitable for use on Group 1 gases or unstable fluids, as defined by the Pressure Equipment Directive 2014/68/EU.\*

\* See page 159 for more information

Valid as of 081220

Every effort has been made to ensure that the information contained in this publication is accurate at the time of publishing. Crane Ltd assumes no responsibility or liability for typographical errors or omissions or for any misinterpretation of the information within the publication and reserves the right to change without notice.