

DM11

Flanged Bronze Globe Valve

DM11

PN25

Features & Benefits

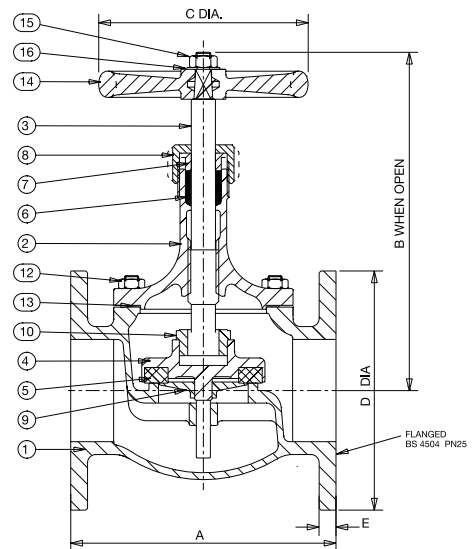
- Crane bronze globe valves are highly efficient for throttling because seat and disc designs provide flow characteristics with proportionate relationships between valve lift and flow rate

Materials

NO.	PART	MATERIAL	SIZES
1	Body	Bronze BS EN 1982 CC491K	All
2	Bonnet	Bronze BS EN 1982 CC491K	All
3	Stem	Bronze BS EN 1982 CC491K	All
4	Disc	PTFE (25% Glass Filled)	All
5	Disc Holder	Brass BS EN 12164 CW617N	15 - 25
5	Disc Holder	Bronze BS EN 1982 CC491K	32 - 80
6	Union Ring	Bronze BS EN 1982 CC491K	15 - 50
7	Packing	Asbestos Free	All
8	Gland	Brass BS EN 12164 CW614N	All
9	Packing Nut	Brass BS EN 12164 CW614N	15 - 40
9	Packing Nut	Bronze BS EN 1982 CC491K	50 - 80
10	Washer	Brass BS EN 12164 CW614N	15 - 50
11	Disc Ret'ng Nut	Brass BS EN 12164 CW614N	15 - 50
11	Disc Ret'ng Nut	Bronze BS EN 1982 CC491K	65 & 80
12	Handwheel	Aluminium	15 - 50
12	Handwheel	Malleable Iron BS EN 1562 GJMB-300-6	65 & 80
13	Handwheel Nut	Brass BS EN 12164 CW614N	All
14	ID Plate	Aluminium	All
15	Disc Stem Ring	Bronze BS EN 1982 CC491K	65 & 80
16	Bonnet Stud	Steel BS 970 070M20	65 & 80
17	Bonnet Stud Nut	Steel BS 4190 Gr.4	65 & 80
18	Gasket	Asbestos Free	65 & 80



Dimensional Drawing



Dimensions & Weights

SIZE (mm)	WEIGHT (kg)	A (mm)	B (mm)	C (mm)	D (mm)	E (mm)
15	1.71	108	128	65	95	8
20	2.82	117	145	70	105	8
25	3.29	127	161	78	115	9
32	4.93	146	180	92	140	90
40	6.28	159	199	103	150	11
50	9.74	190	233	121	165	11
65	16.2	216	279	152	185	13
80	21.6	254	313	152	200	14

PRESSURE RATING: PN25

TEMPERATURE OPERATING RANGE:
-10 to 186°C

UK END CONNECTION: Flanged BS 4504

US END CONNECTION: Not Specified

OPERATOR: Handwheel

AVAILABLE OPTOINS: P150 Locking Device

SPECIFICATION: Valves are manufactured in accordance with BS 5154 PN25 for series B ratings with 'long' face-to-face. Design incorporates disc holder which on sizes 15 to 50 slips on to stem and on sizes 65 and 80 is retained by a threaded ring. Body seat is integral of the semi-crown type. Sizes 15 to 50 have union bonnet; sizes 65 and 80 have a bolted bonnet.

End flanges conform to BS 4504 Section 3.3 with flat face and are normally supplied drilled.

Note: Users attention is drawn to BS 4504 Section 3.3 Clause 8 regarding types of gaskets and mating flanges to be used with metric flanged valves.

This valve is not suitable for use on group 1 gases or unstable fluids, as defined by the Pressure Equipment Directive 2014/68/EU.*

* See page 159 for more information

Valid as of 27/11/19

Every effort has been made to ensure that the information contained in this publication is accurate at the time of publishing. Crane Ltd assumes no responsibility or liability for typographical errors or omissions or for any misinterpretation of the information within the publication and reserves the right to change without notice.