

D298

Bronze Strainer



PN16

D298



Features & Benefits

- A generous use of pipeline strainers will make a significant contribution to the reliability of a piping system and to optimise performance of the equipment - pumps, valves, flow measuring devices, traps etc
- Strainers are a low cost investment for any piping system and result in reduced maintenance costs as well as minimising 'downtime' by protecting the circuit from damage by foreign matter

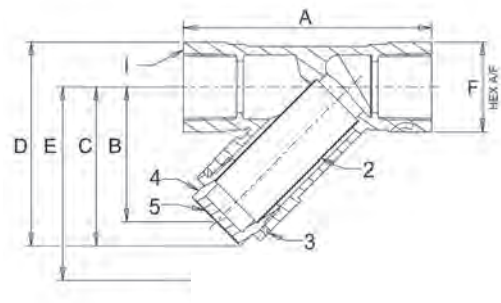
Materials

NO.	PART	MATERIAL
1	Body	Bronze to BS EN 1982 CC491K
2	Mesh	Stainless Steel to A.I.S.I. Type 304
3	Cap Seal	PTFE
4	Cap	Bronze to BS EN 1982 CC491K
5	ID Plate	Aluminium

Dimensions & Weights

DN	MESH HOLE Ø (mm)	A (mm)	B (mm)	C (mm)	D (mm)	E (mm)	F (mm)	WEIGHT (kg)
15	0.75	58	33	40	55	62	27	0.16
20	0.75	70	42	54	69	80	33	0.28
25	0.75	88	48	60	80	93	39	0.38
32	1.4	96	55	69	95	108	49	0.64
40	1.4	107	61	76	107	118	55	0.88
50	1.4	126	79	99	135	153	67	1.40

Dimensional Drawing



E = withdrawal distance for the screen

Pressure/Temperature Ratings

TEMPERATURE (°C)	-10 to 100	170
PRESSURE (BAR)	16	7

Intermediate pressure ratings shall be determined by interpolation.

WRAS approval -10 to 85°C

PRESSURE RATING: PN16

16 bar -10° to 100°C (max)*

7 bar at 170°C

TEST PRESSURE: 24 bar hydraulic

SPECIFICATION: Bronze body. Screen 304 stainless steel.

End connections threaded to BS EN 10266 (BS 21 Taper ISO R7) & B1.20.1 ANSI.

* WRAS -10 to 85°C

Every effort has been made to ensure that the information contained in this publication is accurate at the time of publishing. Crane Ltd assumes no responsibility or liability for typographical errors or omissions or for any misinterpretation of the information within the publication and reserves the right to change without notice.