

## D885 & T80

### Angle Body & Wheel Head Valve

PN10

D885 &amp; T80



GENERAL VALVES

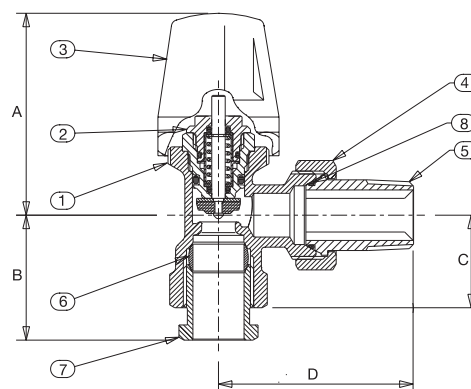
#### Features & Benefits

- Tailpiece and collar with integrated seal makes for a fast and leak-free joint
- Complete with compression adaptor allows for installation onto either threaded or smooth pipe to suit site requirements

#### Materials

NO.	PART	MATERIAL
1	Body	Brass (Chrome Plated) BS EN 12164 CW617N
2	Valve Insert Assembly	EPDM Valve Disc
3	T80 Wheel Head	Thermoplastic ABS
4	Tailpiece Ring	Brass BS EN 12164 CW617N
5	Tailpiece	Brass BS EN 12164 CW617N
6	Compression Olive	Brass BS EN 12164 CW602N
7	Compression Adaptor	Brass BS EN 12164 CW614N
8	Hydraulic Seals	Rubber EPDM

#### Dimensional Drawing



#### Dimensions & Weights

SIZE (mm)	WEIGHT (g)	A (mm)	B (mm)	C (mm)	D (mm)
15	350	60	37	27.5	58
22	519	61	42	30.5	66