

D888

Straight Lockshield Valve

D888



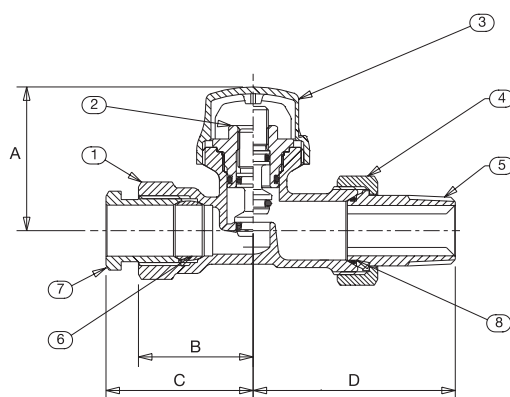
Features & Benefits

- Complete with compression adaptor allows for installation onto either threaded or smooth pipe to suit site requirements

Materials

NO.	PART	MATERIAL
1	Body	Brass (Chrome Plated) BS EN 12164 CW617N
2	Lockshield Assembly	Brass BS EN 12164 CW614N
3	Lockshield Cap	Thermoplastic ABS
4	Tailpiece Ring	Brass BS EN 12164 CW617N
5	Tailpiece	Brass BS EN 12164 CW617N
6	Compression Olive	Brass BS EN 12164 CW602N
7	Compression Adaptor	Brass BS EN 12164 CW614N
8	Hydraulic Seals	Rubber EPDM

Dimensional Drawing



Dimensions & Weights

SIZE (mm)	WEIGHT (g)	A (mm)	B (mm)	C (mm)	D (mm)
15	273	43	34	44	60
22	455	44	40	51	65