

# PICV ACTUATORS

## ACT991M / ACTD995FB / ACTD995FS / ACT991TP / ACT991TH

### Features & Benefits

- **ACT991M** is a modulating actuator providing proportional (equal percentage) control. This now includes a stem gap detection innovation, which reduces onsite adjustments and results in easier installation and commissioning. The gap detection feature matches the stroke length of the valve during calibration, ensuring the actuator conversion to equal percentage is accurate and gives the desired flow control across all valve settings for the operating differential pressure range.
- **ACTD995FB** is a Feedback actuator allowing proportional control with 0-10V with position feedback signal function.
- **ACTD995FS** is a Fail Safe actuator designed to protect the equipment and the system from damage, while enhancing overall efficiency
- **ACT991TP** is a 3-point actuator (or floating point) electromechanical actuator for use where thermal actuators are not suitable.
- **ACT991TH** is a thermal actuator designed for ON/OFF control. Thermal actuators are small, light, and therefore a good choice for confined spaces.
- All feature an LED for the indication of the operating status.

### Materials

	Material
Cover	ABS + PC
Yoke	PA66 - Glass Mineral filled (30% total)
Thread Nut	Brass CuZn40Pb2

### Dimensions & Weights

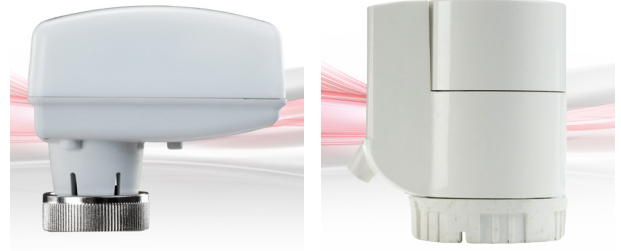
Fig No.	Cable Length	A (mm)	B (mm)	C (mm)	Weight (kg)
ACT991M	1.5m	79.5	80	49	0.2
ACTD995FB					
ACTD995FS					
ACT991TP					
ACT991TH	1.0m	42.5	61	44	0.2

### Technical Specification

Actuator Type	Power Supply	Control Signal	Configurations	Control Type	Nominal Force	Stroke Length	Running Time	Protection Class	Connections	Calibration
ACT991M	24VAC/DC	0 - 10V DC 0 - 5V DC 2 - 10V DC 4 - 20mA	Direct acting	Proportional	140N	6.3mm max	8 sec/mm	IP54	M30 x 1.5	Self Calibrating
ACTD995FB			Direct acting		160N					
ACTD995FS			Reverse acting		160N					
ACT991TP	24VAC/DC (230V Available)	N/A	N/A	Raise / Lower	140N	4.5mm max (nominal)	13 sec			
ACT991TH				ON/OFF	125N	4.5 min				

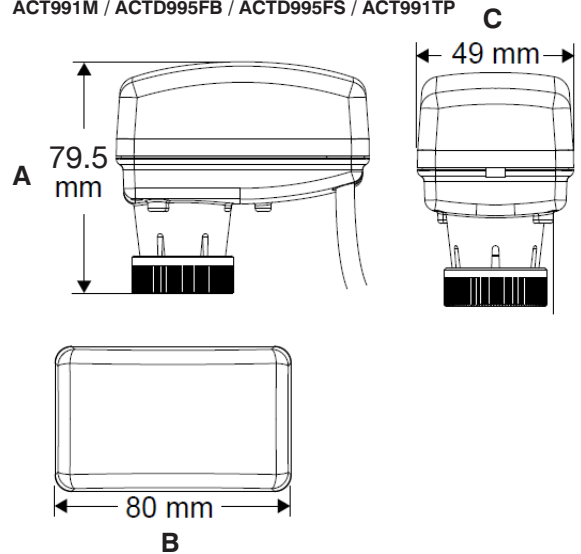
ACT991M / ACTD995FB /  
ACTD995FS / ACT991TP

ACT991TH

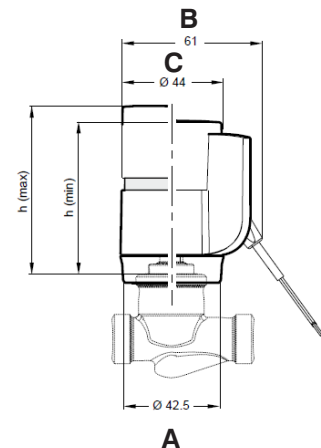


### Dimensional Drawing

ACT991M / ACTD995FB / ACTD995FS / ACT991TP



ACT991TH



Every effort has been made to ensure that the information contained in this publication is accurate at the time of publishing. Crane FS Ltd assumes no responsibility or liability for typographical errors or omissions or for any misinterpretation of the information within the publication and reserves the right to change without notice.