

D931.PF Range

Bronze Fixed Orifice Double Regulating Valve



PN16

Features & Benefits

- Fixed Orifice Double regulating valve complete with Press-Fit connectors
- Provides precise and accurate flow regulation & measurement
- Supplied as one integral unit means less joints to make on-site
- The performance, exact dimensions & tolerances are known in advance
- Incorporates both Crane Fluid Systems and proven Geberit Mapress technology
- Vibration tested to DVGW and bend tested to BS EN331
- Quickly and easily installed using a Press-Fit tool (supplied by others)

Materials

| NO. | COMPONENT | MATERIAL | SPECIFICATION |
|-----|--|---------------------|---|
| 1 | Body | Bronze | BS EN 1982 CC491K |
| 2 | Bonnet - 1/2" - 1 1/4" Bonnet - 1 1/2" - 2" | DZR Brass Bronze | BS EN 12165 CW602N BS EN 1982 CC491K |
| 3 | Stem | DZR Brass | BS EN 12165 CW602N |
| 4 | Disc | DZR Brass | BS EN 12165 CW602N |
| 5 | Disc Retaining Ring (SIZES 1-2 ONLY) | DZR Brass | BS EN 12165 CW602N |
| 6 | Balancing Cone | DZR Brass | BS EN 12165 CW602N |
| 7 | Disc Face (SIZES 1-2" ONLY) | PTFE | - |
| 8 | 'O' Ring Seal | EPDM Rubber | WRAS Approved |
| 9 | Orifice Insert | DZR Brass | BS EN 12164 CW602N |
| 10 | Cat.No.P84 Press. Test Valve | DZR Brass | BS EN 12164 CW602N |
| 11 | Press-Fit Connector | Bronze | BS EN 1982 CC499K |
| 12 | Connector 'O' Ring | CIIR Butyl Rubber | - |
| 13 | Joint 'O' Ring | EPDM Rubber | WRAS Approved |

Dimensions & Weights

| FIG NO. | SIZE (mm) | DIMENSIONS (mm) | | | | | | WEIGHT (kg) |
|--------------------------------|------------|-----------------|-----|----|----|-----|-----|-------------|
| | | A | B | C | ØD | E | F | |
| D931.PF / D933.PF / D934.PF | 1/2 x 15 | 87 | 110 | 46 | 15 | 132 | 93 | 0.716 |
| | 1/2 x 18 | 87 | 110 | 46 | 18 | 133 | 94 | 0.720 |
| D931.PF | 3/4 x 22 | 96 | 111 | 51 | 22 | 147 | 106 | 0.788 |
| | 1 x 28 | 100 | 132 | 56 | 28 | 152 | 107 | 1.136 |
| | 1 1/4 x 35 | 114 | 133 | 57 | 35 | 172 | 121 | 1.434 |
| | 1 1/2 x 42 | 125 | 148 | 61 | 42 | 193 | 134 | 1.906 |
| | 2 x 54 | 146 | 149 | 75 | 54 | 227 | 158 | 2.512 |

PRESSURE RATING: PN16

TEMPERATURE OPERATING RANGE: -10 to 120°C (max)*

OPTIONS: available in standard flow (D931.PF), low flow (D933.PF) and ultra-low flow (D934.PF)

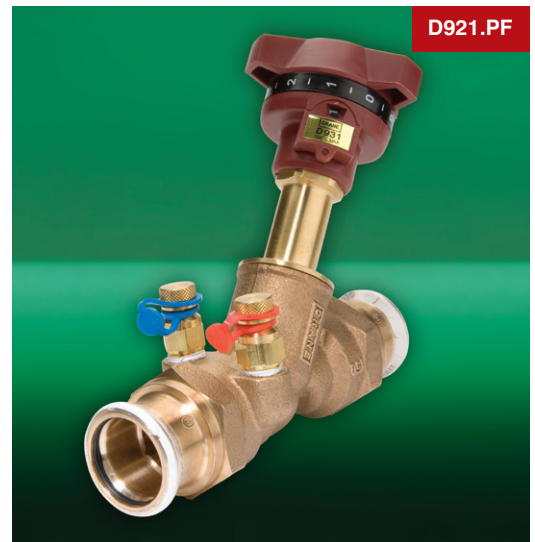
WRAS approved excludes 2"/DN50

CRANE FS D931.PF SPECIFICATION CLAUSE: Bronze (BS EN 1982 CC491K) 'Y' Pattern Globe Type Fixed Orifice Double Regulating Valve incorporating integral orifice with corner tappings terminating in Crane P84 test points. Double regulating feature set by Allen Key and valve operation by Microset handwheel. Disk with PTFE insert on sizes 1" and above. The entire unit provides a measurement accuracy of ± 5%. Conforms to BS7350 for flow measurement and regulation.

Complete with Geberit Mapress bronze Press-Fit adaptors Rated PN16, (Maximum temperature 120 deg C).

Other specification clauses are available on request and on our website

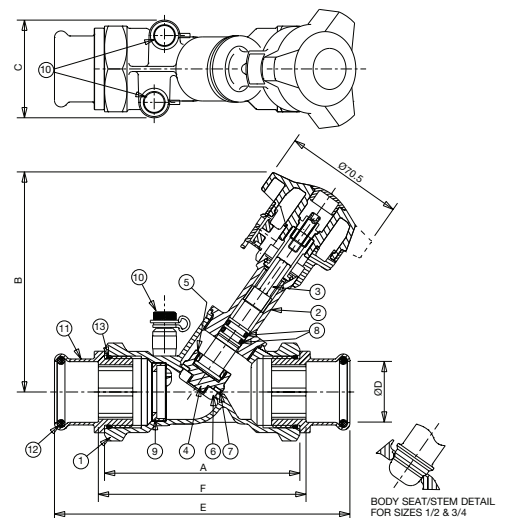
* WRAS approval is for cold water only -10 to 23°C. 2"/DN50 not WRAS approved



D921.PF

PRESS-FIT VALVES

Dimensional Drawing



Valid as of 070222.WRAS

Every effort has been made to ensure that the information contained in this publication is accurate at the time of publishing. Crane Ltd assumes no responsibility or liability for typographical errors or omissions or for any misinterpretation of the information within the publication and reserves the right to change without notice.