

D1088

TMV



D1088

PN10



PUBLIC HEALTH

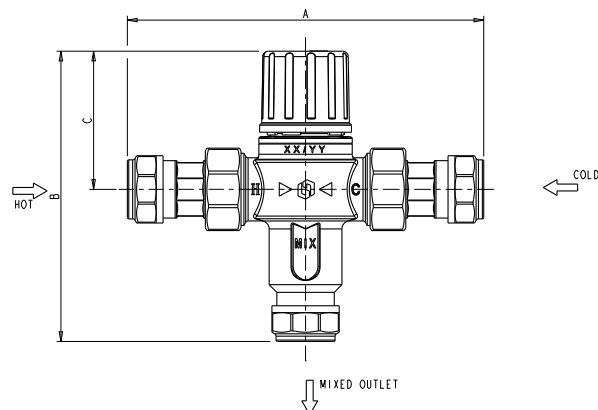
Features & Benefits

- A self-acting Thermostatic Mixing Valve designed to blend hot and cold water, to ensure a constant, controlled safe outlet temperature
- Fulfills the 'duty of care' requirements against scalding
- Ideal for healthcare, schools, workplace and domestic environments
- Flat face union ensures easy removal for maintenance
- Integral strainers and check valves
- Tamper-proof adjustment
- WRAS Approved maximum operating temperature 85°C

Materials

PART	MATERIAL	SPECIFICATION
Body	Chrome Plated DZR Brass	CW602N
Bonnet	Chrome Plated DZR Brass	CW602N
Check Valve	Body - POM	-
	O-ring - EPDM	-
	Spring - Stainless Steel	AISI304
Cap	ABS	-
Element	-	-
Water Flow Directors	PSU	-
Spring	Stainless Steel	AISI304
O-Ring	EPDM	-
Strainer	Stainless Steel	AISI304
Compression Olive	Brass	CW507L

Dimensional Drawing



Dimensions & Weights

SIZE (mm)	A (mm)	B (mm)	C (mm)	WEIGHT (kg)
15	131	108	51	0.49
22	155	110	51	0.68

Limits of Use

Crane D1088 valves have been approved for use on the following designated systems:

HIGH PRESSURE (HP)	LOW PRESSURE (LP)	APPLICATION	MAX MIXED TEMPERATURE
HP-B	LP-B	Bidet	38°C
HP-S	LP-S	Shower	41°C
HP-W	LP-W	Wash Basin	41°C
HP-T (TMV2)	-	Bath	44°C
HP-T44 (TMV3)	-	Bath	44°C

PRESSURE RATING: PN10

OPERATOR: Lockshield

SPECIFICATION: The D1088 Thermostatic Mixing Valve is certified under the NSF TMV2 & TMV3 schemes and is a WRAS approved product listed in the WRAS Approvals Directory.

FACTORY SETTING: 41°C

TEMPERATURE SETTING RANGE: 30-50°C

MINIMUM HOT TO MIX TEMPERATURE: 12°C

COLD WATER SUPPLY TEMPERATURE: 5-25°C

HOT WATER SUPPLY TEMPERATURE: 55-65°C

TEMPERATURE STABILITY: ±2°C

MAXIMUM WORKING PRESSURE: 10 bar

SUPPLY PRESSURE IMBALANCE DYNAMIC: 2:1

Valid as of 160222

Every effort has been made to ensure that the information contained in this publication is accurate at the time of publishing. Crane Ltd assumes no responsibility or liability for typographical errors or omissions or for any misinterpretation of the information within the publication and reserves the right to change without notice.