

D171AC

Compression DZR Ball Valve



D171AC

D171ACEXS

Compression DZR Ball Valve with Extension Stem

PN16

Features & Benefits

- Designed to be light, compact and easy to install and operate
- WRAS Approved to 99°C
- Spanner flats on each end to assist with tightening of the compression joint without stressing the valve body & resulting in premature failure
- Extension stem (EXS) to enable valve operation whilst the valve and associated pipework is surrounded with insulation or if the valve is in a hard to access area.

Materials

PART	MATERIAL	QUANTITY
Hex-Nut	Steel Plated	1
Lever	Steel Dacromet Plated	1
Handle Sleeve	Maroon PVC	1
Packing Nut	Brass CW617N	1
Packing Gland	PTFE WRAS approved	1
Body	DZR Brass CW602N	1
Seats	PTFE WRAS approved	2
Ball	DZR Brass CW602N Chrome Plated	1
Bonnet	DZR Brass CW602N	1
Compression Olive	Brass BS EN 12449 CW505L/CW507L	2
Compression Nut	DZR Brass BS EN 12165 CW617N	2
Stem	DZR Brass CW602N	1
Extension Stem Outer	Aluminium	1
Extension Stem Inner	Steel Plated	1

Dimensions & Weights

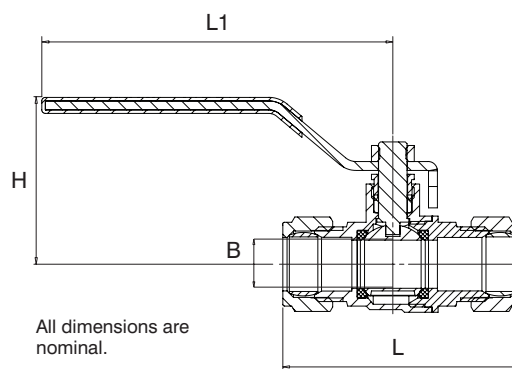
SIZE (mm)	WEIGHT (kg)	WEIGHT EXS (kg)	L (mm)	B (mm)	H (mm)	H1 EXS (mm)	L1 (mm)	KV
15	0.213	0.281	66.7	13.5	48.3	103.8	98.5	31
22	0.366	0.435	80.0	20.0	51.8	107.3	98.5	45
28	0.605	0.692	92.2	25.0	62.7	116.2	125.0	63



D171ACEXS



Dimensional Drawing



Pressure/Temperature Ratings

Threaded

TEMPERATURE (°C)	-10 to 30	65	120
PRESSURE (BAR)	16	10	5

Intermediate pressure ratings shall be determined by interpolation.

PRESSURE RATING: PN16

TEMPERATURE OPERATING RANGE: -10 to 120°C

UK END CONNECTION: Compression ends to suit BS EN 1057: Half hard R250 copper tube

OPERATOR: Lever

SPECIFICATION: Quarter Turn

Valid as of 270722

Every effort has been made to ensure that the information contained in this publication is accurate at the time of publishing. Crane Ltd assumes no responsibility or liability for typographical errors or omissions or for any misinterpretation of the information within the publication and reserves the right to change without notice.