

D171ACTH

Compression DZR Ball Valve with T-Handle



D171ACLS

Compression DZR Ball Valve with Lockshield

PN16

Features & Benefits

- Designed to be light, compact and easy to install and operate
- WRAS Approved to 99°C
- Spanner flats on each end to assist with tightening of the compression joint without stressing the valve body & resulting in premature failure
- T-Handle to allow operation in confined spaces.
- Lockshield to reduce the risk of inadvertent or unwanted operation

Materials

PART	MATERIAL	QUANTITY
Hex-Nut	Steel Plated	1
T-Handle	Aluminium AL-46100	1
Packing Nut	Brass CW617N	1
Packing Gland	PTFE WRAS approved	1
Body	DZR Brass CW602N	1
Seats	PTFE WRAS approved	2
Ball	DZR Brass CW602N Chrome Plated	1
Bonnet	DZR Brass CW602N	1
Compression Olive	Brass BS EN 12449 CW505L/CW507L	2
Compression Nut	DZR Brass BS EN 12165 CW617N	2
Stem	DZR Brass CW602N	1
Lockshield	Brass CW617N	1
Lockshield Cover	Polypropylene	1

Dimensions & Weights

SIZE (mm)	WEIGHT (kg)	WEIGHT ACLS (kg)	L (mm)	B (mm)	H ACTH (mm)	H1 ACLS (mm)	L1 ACTH (mm)	L2 ACLS (mm)	KV
15	0.188	0.208	66.7	13.5	39.8	41.8	50	29.6	31
22	0.342	0.362	80.0	20.0	43.3	45.3	50	29.6	45
28	0.564	0.599	92.2	25.0	54.2	57.7	55	36.4	63

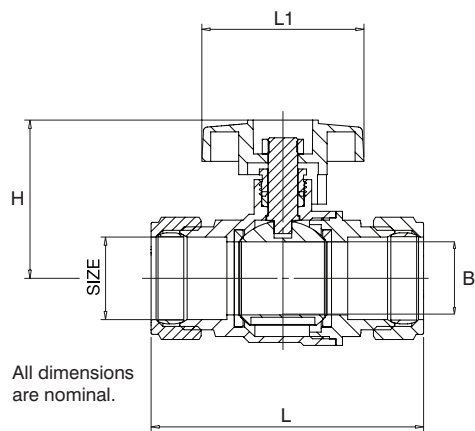


D171ACTH



D171ACLS

Dimensional Drawing



Pressure/Temperature Ratings

Threaded

TEMPERATURE (°C)	-10 to 30	65	120
PRESSURE (BAR)	16	10	5

Intermediate pressure ratings shall be determined by interpolation.

PRESSURE RATING: PN16

TEMPERATURE OPERATING RANGE: -10 to 120°C

UK END CONNECTION: Compression ends to suit BS EN 1057: Half hard R250 copper tube

OPERATOR: T-Handle / Spanner or Socket

SPECIFICATION: Quarter Turn

Valid as of 290722

Every effort has been made to ensure that the information contained in this publication is accurate at the time of publishing. Crane Ltd assumes no responsibility or liability for typographical errors or omissions or for any misinterpretation of the information within the publication and reserves the right to change without notice.