

FM463 / FM463W / FA463 / FM466



FM463

Check Valves PN16 / PN16 / ANSI125 / PN25

Features & Benefits

- Check valves permit flow in one direction only and close automatically if flow reverses, depending upon pressure and velocity of flow to perform the functions of the opening and closing.
- Non-Slam design as a result of rubber seat and spring-assisted closure.
- EPDM rubber seat to facilitate quiet operation and improve disk seating.
- Eyebolt tapped holes in sizes DN200 and above, to fit bolts to BS EN ISO 3226:2010 (eyebolts are not supplied with product).
- Design and construction lends itself to pump duty applications.
- WRAS approved model FM463W DN50 - DN300 for potable water applications rated PN16.

Materials

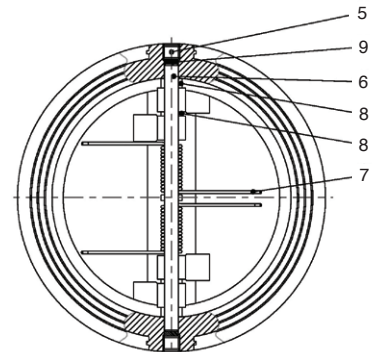
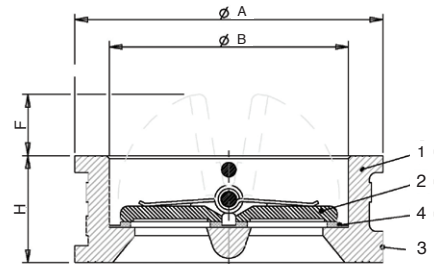
NO.	PART	MATERIAL
1	Body	Cast Iron EN-GJL-250 FM463/ FA463 DN50-DN150
		Ductile Iron EN-GJS-400-15 FM463/ FA463 DN200-DN600
		Ductile Iron EN-GJS-400-15 PN25 DN50-DN600 FM466 / PN16 DN50-DN300 FM463W
2	Disc	Stainless Steel SS304
3	ID Plate	Anodised Aluminium
4	Seat	EPDM Max 120°C (85°C for WRAS)
5	Stop Bolt	Stainless Steel 304
6	Stem	Stainless Steel 304
7	Spring	Stainless Steel 304
8	Washer	PTFE (85°C for WRAS)
9	Gasket	EPDM Max 120°C (85°C for WRAS)

Dimensions & Weights

SIZE	A (mm)		B (mm)	F (mm)	H (mm)	WEIGHT (Kg)	EYEBOLT TAPPING (To BS EN 3226:2010)	Kv VALUES
	PN16	ANSI 125						
DN50	107	102	66.0	10.0	43.0	1.5	N/A	44
DN65	127	121	80.5	16.0	46.0	2.2	N/A	102
DN80	142	133	95.0	15.0	64.0	3.2	N/A	128
DN100	162	171	119.0	28.0	64.0	4.1	N/A	203
DN125	192	193	146.0	38.0	70.0	5.7	N/A	528
DN150	218	219	171.0	47.0	76.0	8.2	N/A	688
DN200	273	276	224.5	70.0	89.0	14.6	M8	1315
DN250	328	336	266.0	78.0	114.0	24.2	M10	2315
DN300	382	406	311.0	104.0	114.0	35.8	M10	3623
DN350	442	448	360.0	127.0	127.0	54.0	M12	4620
DN400	495	511	410.0	143.0	140.0	76.0	M12	5166
DN450	555	546	450.0	158.0	152.0	103.0	M16	6164
DN500	617	603	505.0	183.0	152.0	126.0	M16	9670
DN600	734	714	624.0	221.0	178.0	187.0	M16	15340



Dimensional Drawing



Selection

FIG NO.	FM463	FM466	FA463	FM463W
PRESSURE RATING	PN16	PN25	ANSI125	PN16

MIN OPENING PRESSURE: 4 kPa

PRESSURE RATING: FM463: PN16, FA463: ANSI 125, FM466: PN25, FM463W: PN16

TEMPERATURE OPERATING RANGE: -10 to 120°C (85°C for WRAS)

UK END CONNECTION: Suitable for flange connection to BS EN 1092-2 PN16 / BS EN 1092-2 PN25

US END CONNECTION: BS 1560, ANSI B16.1, ANSI B16.5

SPECIFICATION: Dual Plate Wafer type Check Valve, in accordance with BS EN 16767 with face to face according to BS EN 558 series 16. Cast Iron / Ductile Iron Body, SS304 Disc, Stem and spring, EPDM seat, PTFE gasket and washers, Fusion bonded epoxy coating suitable for C3 environment.

WRAS approved model suitable upto 85 Deg C with WRAS approved EPDM seat, WRAS approved PTFE gasket, washer, and WRAS approved coating.

Valve is suitable for use on Group 2 liquids as defined by the Pressure Equipment Directive 2014/68/EU.*

* See page 159 for more information

Valid as of 090622

Every effort has been made to ensure that the information contained in this publication is accurate at the time of publishing. Crane Ltd assumes no responsibility or liability for typographical errors or omissions or for any misinterpretation of the information within the publication and reserves the right to change without notice.