

D161

Bronze Gate Valve
Non rising stem

PN25

D161

GENERAL VALVES



Features & Benefits

- Crane gate valves offer the ultimate in dependable service wherever minimum pressure drop is important

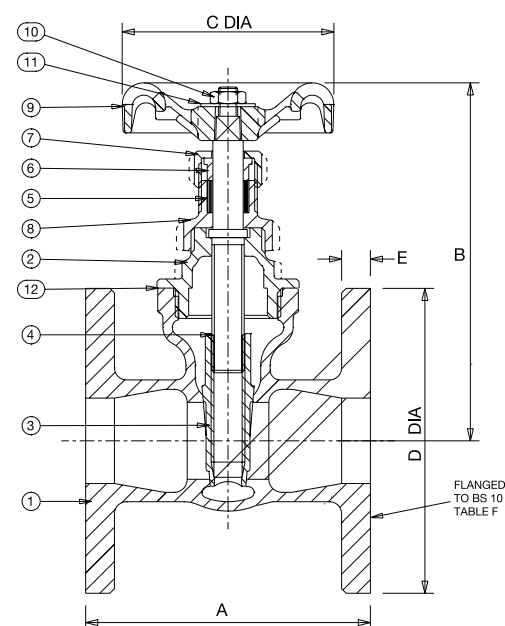
Materials

NO.	PART	MATERIAL	SIZES
1	Body	Bronze BS EN 1982 CC491K	-
2	Bonnet	Bronze BS EN 1982 CC491K	-
3	Disc	Bronze BS EN 1982 CC491K	-
4	Stem	Bronze BS EN 12164 CW602N	-
5	Packing	Asbestos Free	-
6	Gland	Brass BS EN 12164 CW614N	-
7	Packing Nut	Brass BS EN 12164 CW614N	-
8	Stuffing Box	Bronze BS EN 12164 CW602N	-
9	Handwheel	Aluminium	-
10	Handwheel Nut	Brass BS EN 12164 CW614N	-
11	Identity Plate	Aluminium	-
12	Gasket*	Asbestos Free	3" only

Dimensions & Weights

SIZE (inch)	WEIGHT (kg)	A (mm)	B (mm)	C (mm)	D (mm)	E (mm)
3/4	2.23	83	107	52	102	7.9
1	2.97	95	124	65	121	9.5
1 1/4	3.54	108	145	70	133	9.5
1 1/2	4.65	121	165	78	140	11.1
2	6.44	133	189	92	165	11.1
2 1/2	10.4	152	232	103	184	12.7
3	13.6	171	269	121	203	14.3

Dimensional Drawing

**PRESSURE RATING:** PN25**TEMPERATURE OPERATING RANGE:** -10 to 100°C**END CONNECTION:** Flanged to BS 10 Table F**SPECIFICATION:** End flanges conform to BS 10 Table F with flat faces and are normally supplied drilled.

This valves is suitable for use on Group 2 Gas, Group 1 and Group 2 Liquids as defined by Pressure Equipment Directive 2014/68/EU, and Pressure Equipment (Safety) Regulations 2016, as amended.*

Not suitable for use on Group 1 Gases or unstable liquids.

*see Quality Assurance page for more information