

D235

Bronze Gate Valve with Lockshield
Non rising stem

PN32

D235



Features & Benefits

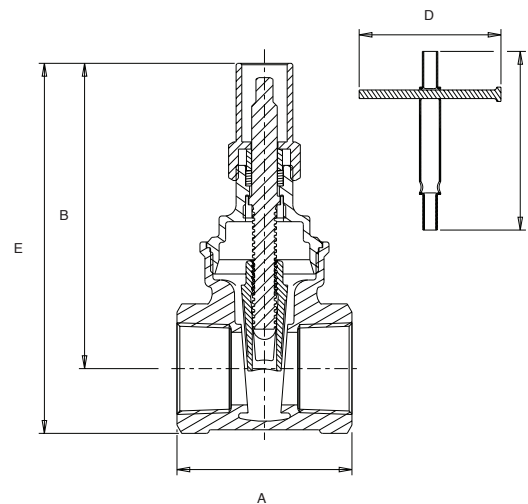
The D235 bronze gate valve offers a dependable and long service life across a wide variety of applications by virtue of its design and material composition.

- Non-rising stem design to minimise installation height
- Full bore design to ensure minimal pressure drop
- Adjustable gland packing for ease of maintenance
- Material selection results in superior dezincification (DZR) and corrosion resistance properties
- Body, bonnet and disc are made from low lead content bronze, typically 4-6%

Materials

PART	MATERIAL	SPECIFICATION	SIZES
Body	Bronze	BS EN 1982 (CC491K)	ALL
Bonnet	Bronze	BS EN 1982 (CC491K)	ALL
Stem	DZR Brass	BS EN 12164 CW602N	ALL
Disc	Bronze	BS EN 1982 (CC491K)	ALL
Stem Retainer	DZR Brass	BS EN 12164 CW602N	ALL
Packing Ring	PTFE	-	ALL
Packing Gland	Brass	BS EN 12164 CW614N	ALL
Lockshield	Brass	BS EN 12164 CW614N	ALL
Lockshield Spanner	Mild Steel	-	ALL
Lockshield T-Bar	Mild Steel	-	ALL

Dimensional Drawing



Dimensions & Weights

SIZE (inch)	A (mm)	B (mm)	C (mm)	D (mm)	E (mm)	LOCKSHIELD KEY NO.	WEIGHT (kg)	KV
1/2	50	78	90	100	93	1	0.27	21
3/4	54	87	90	100	106	1	0.38	39
1	62	106	125	100	128	1	0.59	66
1 1/4	71	116	125	100	144	2	0.89	116
1 1/2	77.5	132	125	100	165	2	1.31	162
2	87.5	156	125	100	194	2	2.09	281

Pressure/Temperature Ratings

TEMPERATURE (°C)	-10 to 100	150	198
PRESSURE (BAR)	32	22.8	14

Intermediate pressure ratings shall be determined by interpolation.

SPECIFICATION: The valve body, bonnet and disc shall be of Bronze to BS EN 1982 CC491K.
The stem shall be of DZR Brass to BS EN 12164 CW602N.
Operation shall be by lockshield. Ends to be threaded to BS EN 10226-2.

The valve is to be rated at PN32 and manufactured in accordance with BS EN 12288: 2010.
The Non-Rising Stem Gate Valves are unsuitable for use on Group 1 gases or unstable fluids, as defined by the Pressure Equipment Directive 2014/68/EU.

This valve is suitable for use on Group 2 Gas, Group 1 and Group 2 Liquids as defined by Pressure Equipment Directive 2014/68/EU, and Pressure Equipment (Safety) Regulations 2016, as amended. *

Not suitable for use on Group 1 Gases or unstable liquids.

*see Quality Assurance page for more information