

D237A

DZR Gate Valve with Lockshield
Non rising stem

PN20

D237A



Features & Benefits

- Crane gate valves offer the ultimate in dependable service wherever minimum pressure drop is important
- Conforms with BS EN12288:2010 and generally conforms with MSS SP 80.

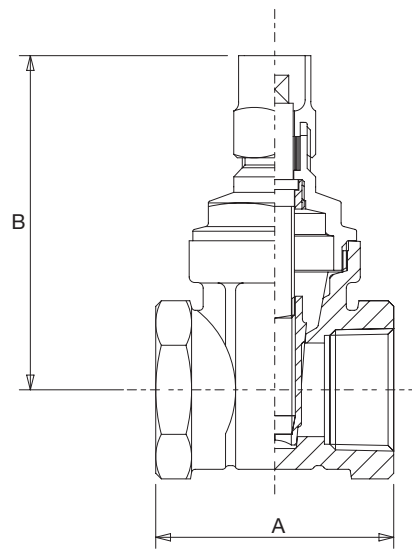
Materials

PART	MATERIAL	SIZES
Body	DZR Brass BS EN 12165 CW602N	All
Bonnet	DZR Brass BS EN 12165 CW602N	All
Stem	DZR Brass BS EN 12164 CW602N	All
Lockshield	Brass BS EN 12165 CW614N	All
Packing	Asbestos Free	All
Stem Bush	DZR Brass BS EN 12164 CW602N	All
Disc	DZR Brass BS EN 12165 CW602N	All

Dimensions & Weights

SIZE (inch)	WEIGHT (kg)	A (mm)	B (mm)
1/2	0.23	50	65
3/4	0.36	54	75
1	0.5	62	81
1 1/4	0.82	70	105
1 1/2	1.08	72	122
2	1.83	88	149

Dimensional Drawing



Pressure/Temperature Ratings

TEMPERATURE (°C)	-10 to 100	180
PRESSURE (BAR)	20	9

Intermediate pressure ratings shall be determined by interpolation.

PRESSURE RATING: PN20

TEMPERATURE OPERATING RANGE:
-10 to 180°C

UK END CONNECTION:

Taper threaded to BS EN 10226-2 (ISO 7-1) formerly BS 21

US END CONNECTION: ANSI B1.20.1

OPERATOR: Lockshield.

Gate valves are best for services that require infrequent valve operation, and where the disc is kept either fully opened or fully closed. They are not practical for throttling.

SPECIFICATION: Bronze Gate Valves Non Rising Stem, Solid Wedge, Screwed Bonnet, in accordance with BS EN 12288:2010 PN20 rated. Valve body, bonnet, disc and stem made of DZR Brass to CW602N. PTFE packing ring complete with Brass packing gland and nut design.

MSS SP80 CONFORMANCE: D237A meets the essential requirements of the Standard such as pressure temperature rating, functional attributes, material of construction, wall thickness and thread depth. D237A.AT complies with end connections as well.

This valves is suitable for use on Group 2 Gas, Group 1 and Group 2 Liquids as defined by Pressure Equipment Directive 2014/68/EU, and Pressure Equipment (Safety) Regulations 2016, as amended.*

Not suitable for use on Group 1 Gases or unstable liquids.

AVAILABLE OPTIONS: P103 Lockshield Key

*see Quality Assurance page for more information