

DM160

Bronze Gate Valve
Non rising stem

PN16 - Series B

DM160



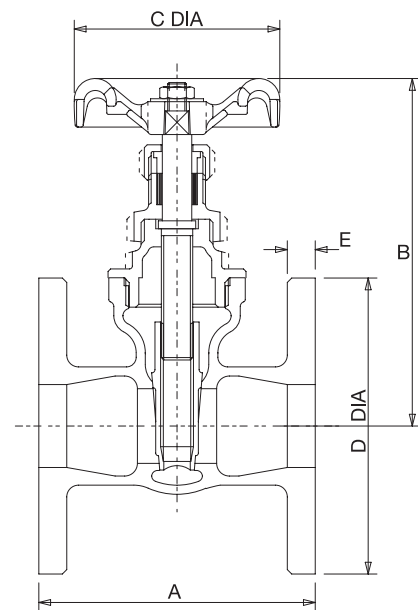
Features & Benefits

- Crane gate valves offer the ultimate in dependable service wherever minimum pressure drop is important

Materials

PART	MATERIAL	SIZES
Body	Bronze BS EN 1982 CC491K	All
Bonnet	Bronze BS EN 1982 CC491K	All
Disc	Bronze BS EN 1982 CC491K	All
Stem	Bronze BS EN 1982 CC491K	2 1/2 & 3
Stem	DZR Brass BS EN 12164 CW602N	3/4 - 2
Packing	Asbestos Free	All
Gland	Brass BS EN 12164 CW614N	All
Packing Nut	Brass BS EN 12164 CW614N	All
Stuffing Box	DZR Brass BS EN 12164 CW602N	1 1/4 & 1 1/2
Stuffing Box	Brass BS EN 12164 CW614N	2" only
Stuffing Box	Bronze BS EN 1982 CC491K	2 1/2 & 3
Stem Bush	Aluminium Bronze BS EN 12163 CW301G	3/4 & 1
Handwheel	Malleable Iron BS EN 1562 GJMB-300-6	3" only
Handwheel	Aluminium	3/4 - 2 1/2
Handwheel Nut	Brass BS EN 12164 CW614N	All
ID Plate	Aluminium	All
Gasket	Asbestos Free	3" only

Dimensional Drawing



Dimensions & Weights

SIZE (mm)	WEIGHT (kg)	A (mm)	B (mm)	C (mm)	D (mm)	E (mm)
20	1.57	89	105	65	105	6
25	2.5	99	116	70	115	8
32	3.38	110	141	92	140	8
40	4.93	120	168	92	150	9
50	5.54	135	189	103	165	11
65	8.39	165	232	103	185	13
80	12.25	185	264	121	200	13

Pressure/Temperature Ratings

TEMPERATURE (°C)	-10 to 100	170
PRESSURE (BAR)	16	7

Intermediate pressure ratings shall be determined by interpolation.

PRESSURE RATING: PN16

TEMPERATURE OPERATING RANGE: -10 to 170°C

END CONNECTION: Flanged BS EN 1092-3 (formerly BS 4504)

OPERATOR: Handwheel.

Gate valves are best for services that require infrequent valve operation, and where the disc is kept either fully opened or fully closed. They are not practical for throttling.

SPECIFICATION: Valves are manufactured in accordance with BS 5154: 1991 PN16 for Series B ratings, having 'short' face-to-face dimensions.

Non-Rising Stem. End flanges conform to BS EN 1092-3 with flat face and are normally supplied drilled.

This valves is suitable for use on Group 2 Gas, Group 1 and Group 2 Liquids as defined by Pressure Equipment Directive 2014/68/EU, and Pressure Equipment (Safety) Regulations 2016, as amended.*

Not suitable for use on Group 1 Gases or unstable liquids.

AVAILABLE OPTIONS: Flanges Undrilled, P150 Locking Device

*see Quality Assurance page for more information