

D921.PF Range

Bronze Double Regulating Valve



PN16

Features & Benefits

- Double regulating valve complete with Press-Fit connectors
- Provides precise and accurate flow regulation
- Standard flow coefficients of D921 and D923 are still valid
- Supplied as one integral unit means less joints to make on-site
- The performance, exact dimensions & tolerances are known in advance
- Incorporates both Crane Fluid Systems and proven Geberit Mapress technology
- Vibration tested to DVGW and bend tested to BS EN331
- Quickly and easily installed using a Press-Fit tool (supplied by others)

Materials

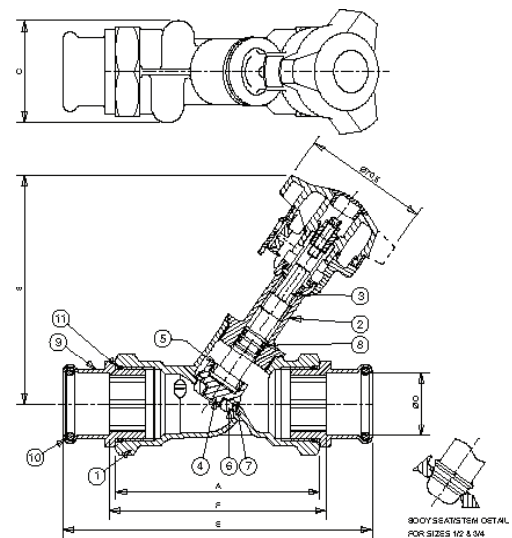
NO.	COMPONENT	MATERIAL	SPECIFICATION
1	Body	Bronze	BS EN 1982 CC491K
2	Bonnet - 1/2" - 1 1/4" Bonnet - 1 1/2" - 2"	DZR Brass Bronze	BS EN 12165 CW602N BS EN 1982 CC491K
3	Stem	DZR Brass	BS EN 12165 CW602N
4	Disc	DZR Brass	BS EN 12165 CW602N
5	Disc Retaining Ring (SIZES 1-2" ONLY)	DZR Brass	BS EN 12165 CW602N
6	Balancing Cone	DZR Brass	BS EN 12165 CW602N
7	Disc Face (SIZES 1-2" ONLY)	PTFE	-
8	'O' Ring Seal	EPDM Rubber	WRAS Approved
9	Press-Fit Connector	Bronze	BS EN 1982 CC499K
10	Connector 'O' Ring	CIIR Butyl Rubber	-
11	Joint 'O' Ring	EPDM Rubber	-

Dimensions & Weights

FIG NO.	SIZE (mm)	DIMENSIONS (mm)						WEIGHT (kg)
		A	B	C	ØD	E	F	
D921.PF / D923.PF	1/2 x 15	87	110	46	15	132	93	0.636
	1/2 x 18	87	110	46	18	133	94	0.640
D921.PF	3/4 x 22	96	111	51	22	147	106	0.718
	1 x 28	100	132	56	28	152	107	1.066
	1 1/4 x 35	114	133	57	35	172	121	1.354
	1 1/2 x 42	125	148	61	42	193	134	1.816
	2 x 54	146	149	75	54	227	158	2.412



Dimensional Drawing



PRESSURE RATING: PN16

TEMPERATURE OPERATING RANGE: -10 to 120°C (max)*

OPTIONS: Available in standard flow (D921.PF) and low flow (D923.PF)

WRAS approved

CRANE FS D921.PF SPECIFICATION CLAUSE: Bronze (BS EN 1982 CC491K) 'Y' pattern Globe Type Double Regulating Valve giving modified equal percentage performance with characterised throttling disk and authority sufficient to regulate flow in circuits incorporating flow measurement devices. double regulating feature set by Allen Key and valve operation by Microset handwheel security seals. disk with PTFE insert on sizes 1" and above. Conforms to BS7350 for flow regulation.

Complete with Geberit Mapress Bronze Press-Fit adaptors. Rated PN16, (Maximum temperature 120 deg C). Other specification clauses are available on request and on our website

* WRAS approval is for cold water only -10 to 23°C.

Every effort has been made to ensure that the information contained in this publication is accurate at the time of publishing. Crane Ltd assumes no responsibility or liability for typographical errors or omissions or for any misinterpretation of the information within the publication and reserves the right to change without notice.

Valid as of 250822.WRAS