

DPIC992F

ProBalance

DPIC992F

PICV - DN50 / DN150

Pressure Independent Control Valves offer full authority and an automatic balancing function

PN16

Features & Benefits

- **Energy savings:** Optimal control creates energy savings when used as part of a variable flow system.
- **Easy to install:** For use with large plant items such as Air Handling Units (AHU), the PICV is compact and easy to install in limited and difficult site conditions.
- **Accurate flow rates:** Built-in differential pressure controller ensures accurate system design flow rates are achieved and eliminates overflows caused by fluctuating system pressures, which in turn reduces the system running costs.
- **Precise temperature control:** Linear or equal percentage characteristics, settable with an actuator, contribute to precise environmental temperature control.

Materials

PART	MATERIAL	SPECIFICATION
Body	Ductile Iron	EN-GJS-450-10 (GCD450)
Bonnet	Ductile Iron	EN-GJS-450-10 (GCD450)
Bottom Cover	Ductile Iron	EN-GJS-450-10 (GCD450)
O-Rings	EPDM	-
Flow Controller		
Seat	Bronze	BS EN 1982: CC491K
Plug	Bronze	BS EN 1982: CC491K
Stem	Stainless Steel	304S15 / 1.4301
Bearing Sleeve	Nylon	PA66
Guide Bush	Stainless Steel	304S15 / 1.4301
Pressure Controller		
Plug / Stem / Guide	Nylon	PA66
Diaphragm	EPDM	-
Diaphragm Plate	Stainless Steel	304S15 / 1.4301
Springs	Spring Steel	-

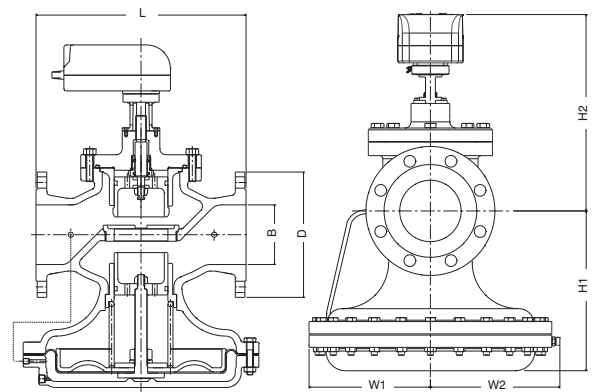
Dimensions & Weights

Size (DN)	L (mm)	W1 (mm)	W2 (mm)	H1 (mm)	H2 (mm)	D (mm)	B (mm)	WEIGHT (kg)	MAX FLOW RATE (m ³ /hr)
DN50	254	139	154	101	291	165	50	33	20
DN65	272	139	154	185	300	185	65	40	30
DN80	272	139	154	185	300	200	65	43	30
DN100	352	198	212	260	320	220	100	74	55
DN125	400	198	212	266	346	250	125	93	90
DN150	451	198	212	350	400	285	150	162	150



BALANCING VALVES

Dimensional Drawing



Note: This Valve is designed to function only with the actuator fitted and cannot be used as a Constant Flow Regulator i.e. without the actuator fitted.

All dimensions are nominal.

Pressure/Temperature Ratings

TEMPERATURE (°C)	5°C to 110°C
PRESSURE (BAR)	16

PRESSURE RATING: PN16

OPERATOR: Actuator supplied and fitted.
Can be configured to Modulating / 3 Point / On-Off
Linear and Equal Percentage control characteristic

IP RATING: IP54

END CONNECTIONS:
FLANGES TO BS EN 1092-2 PN16

OPERATING RANGE: 50-400kPa at 100% Flow
40-400kPa at 80% Flow
30-400kPa at 30% Flow

FLOW ACCURACY: +/-10%

SEAT LEAKAGE:

LINEAR: Class IV (0.01% of Max flow)
EQUAL %: 2% of Max Flow

SPECIFICATION:

Suitable for use on Group 2 Liquids only, and limited to 110°C use as defined by Pressure Equipment Directive 2014/68/EU, and Pressure Equipment (Safety) Regulations 2016, as amended.

Not suitable for use on Group 1 & Group 2 Gases, Group 1 Liquids or unstable liquids.